

# Physical Layer Prototyping using WARPLab

Patrick Murphy & Melissa Duarte  
Rice University

WARP Workshop  
April 15, 2008



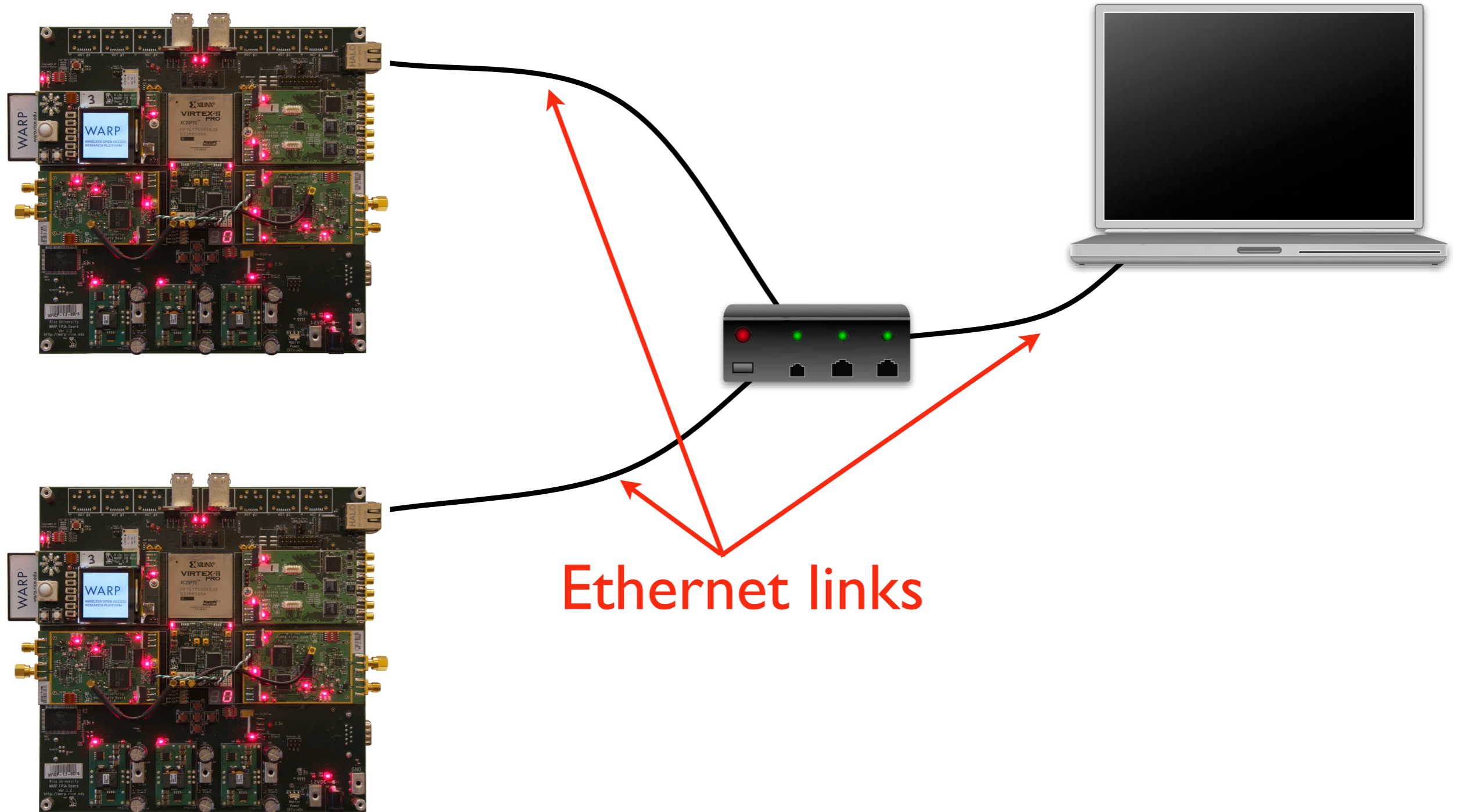
# PHY Design Flows

- Today: PHY design using WARPLab
  - MATLAB↔WARP Link
  - Real-time Tx-Rx and offline processing
  - Very rapid prototyping of PHY algorithms
- Tomorrow's Labs: Real-time PHY design
  - Low-level FPGA design using Sysgen
  - Putting it all together using XPS

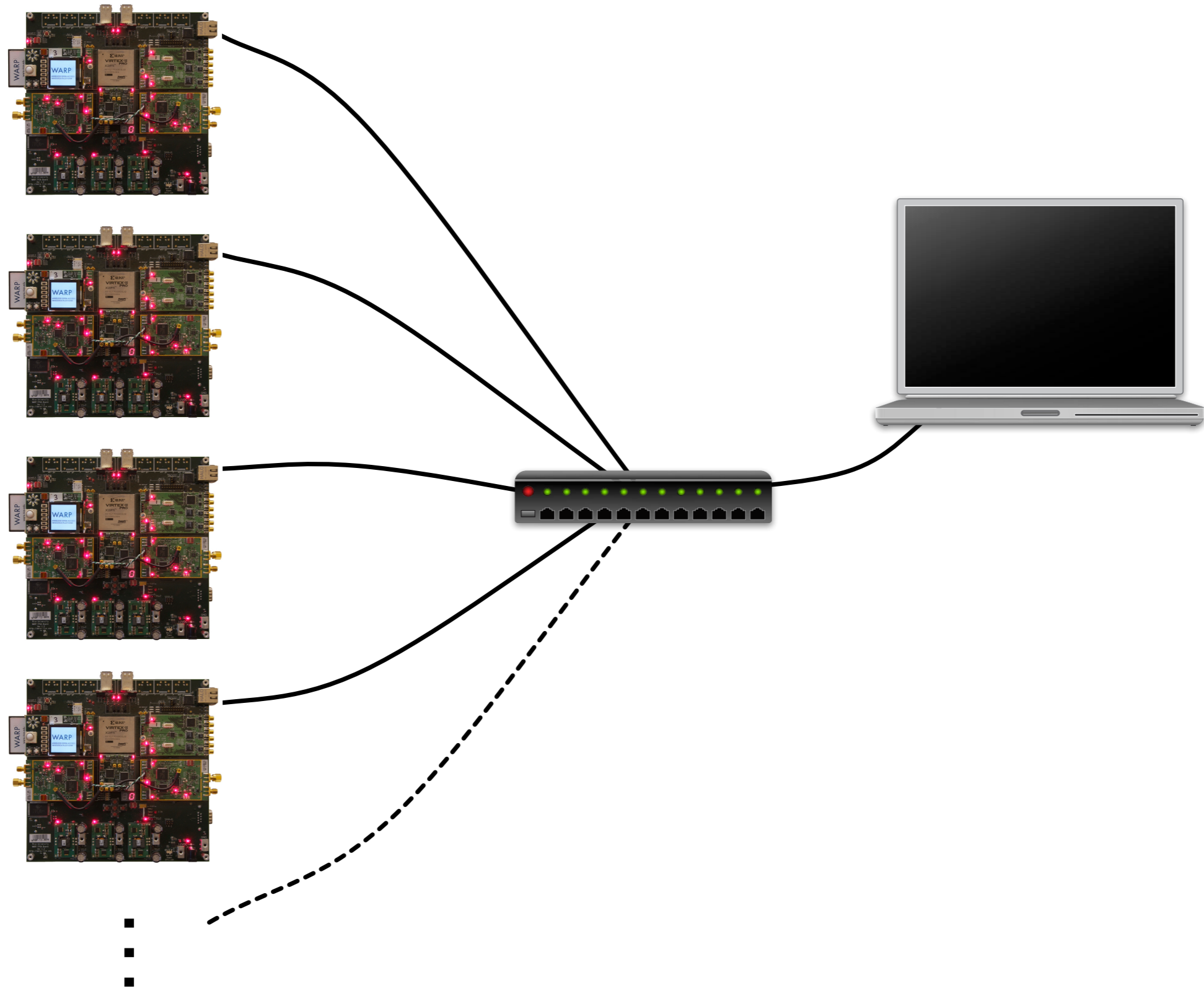
# PHY Design Flows

- Today: PHY design using WARPLab
  - MATLAB↔WARP Link
  - Real-time Tx-Rx and offline processing
  - Very rapid prototyping of PHY algorithms
- Tomorrow's Labs: Real-time PHY design
  - Low-level FPGA design using Sysgen
  - Putting it all together using XPS

# WARPLab Overview

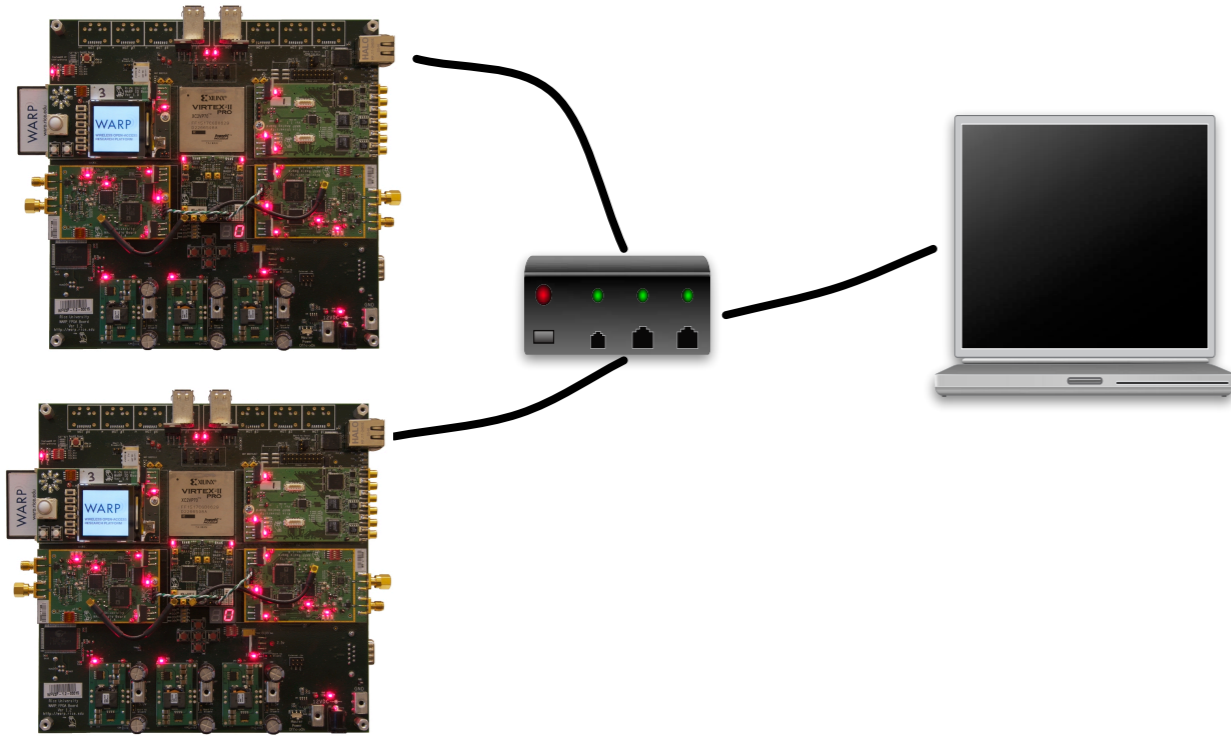


# WARPLab Overview



*Up to 16 WARP Nodes*

# WARPLab Overview

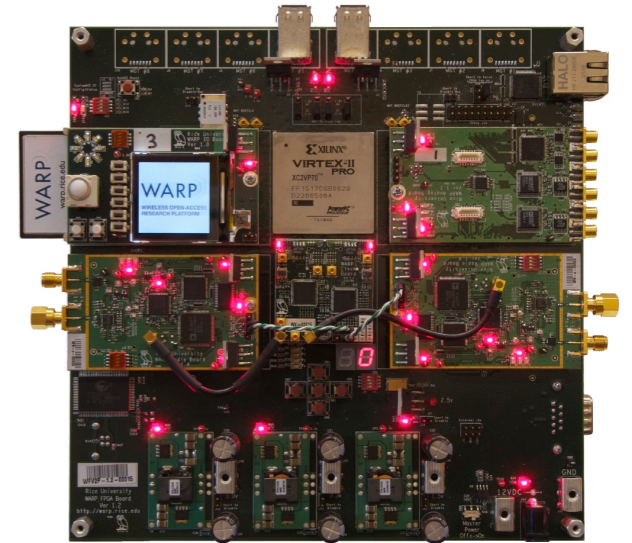


- MATLAB for signal processing
- Non-real-time processing
- One PC controls many WARPLab nodes

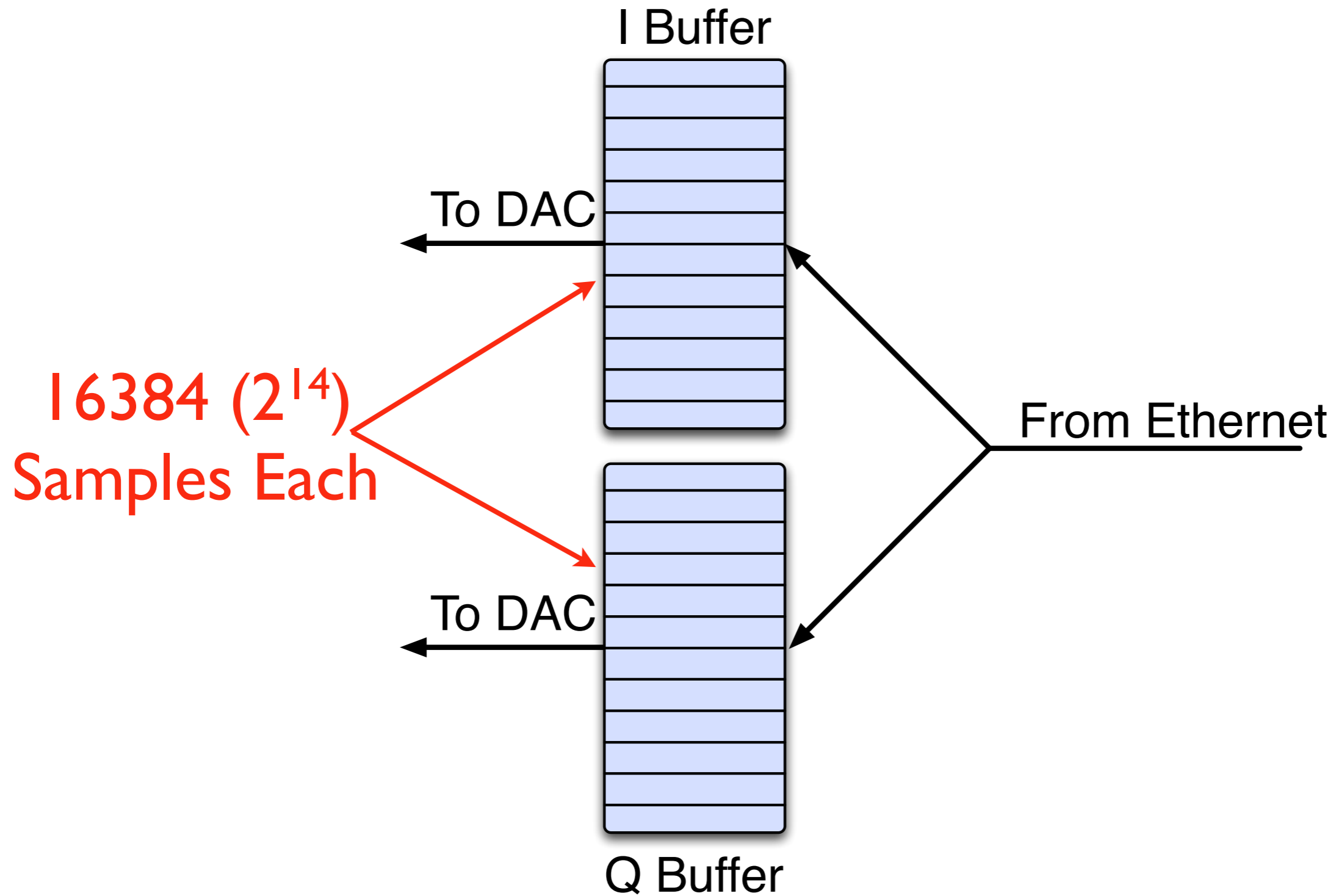
- WARPLab for wireless interfaces
- Real-time channel use

# WARPLab Architecture

- Bitstream is provided
  - Sysgen and C code provided
- Same bitstream for all nodes
  - Any node can be Tx or Rx
- MATLAB user interface
  - M-code functions provided facilitate interaction with boards
- All open-source



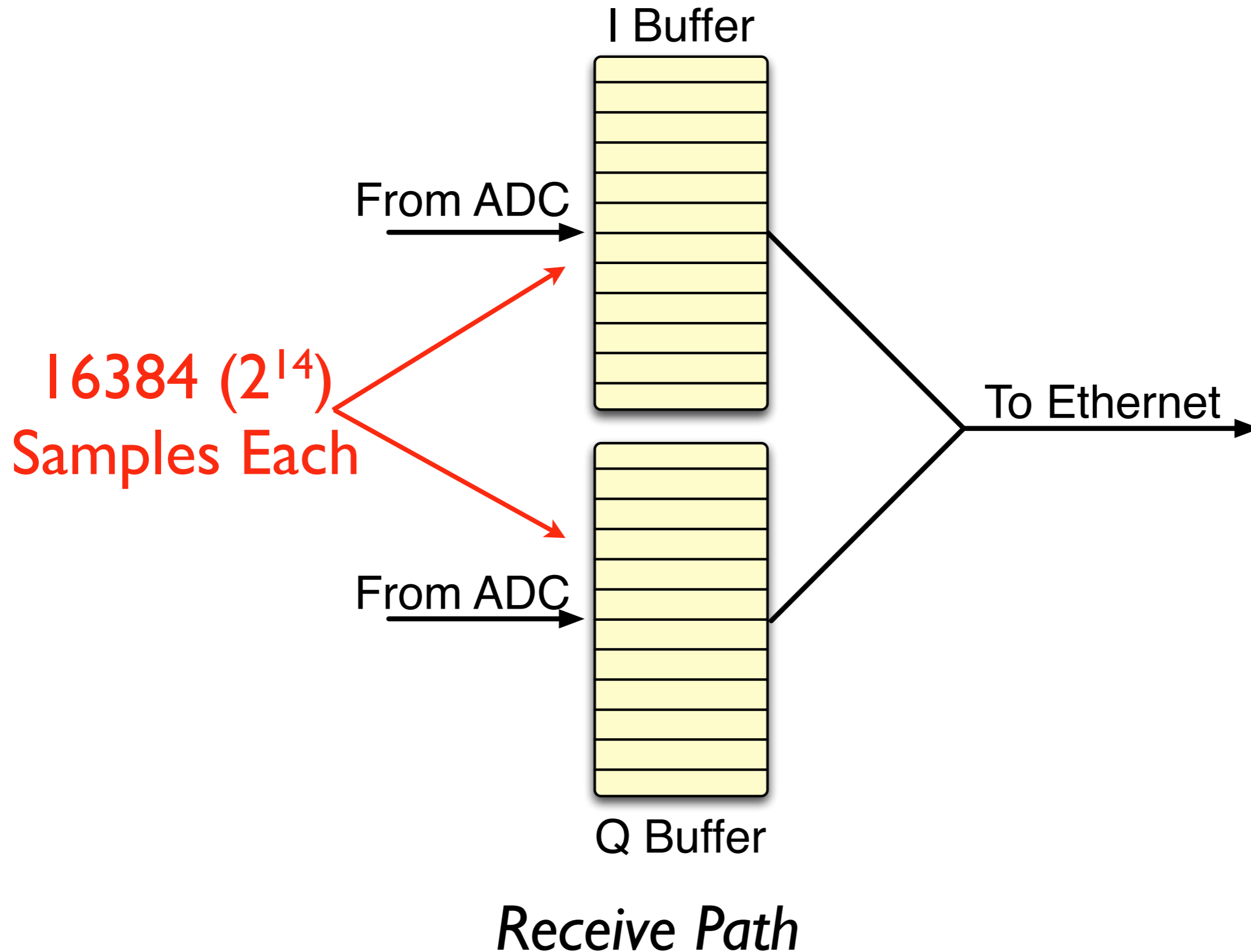
# WARPLab Architecture



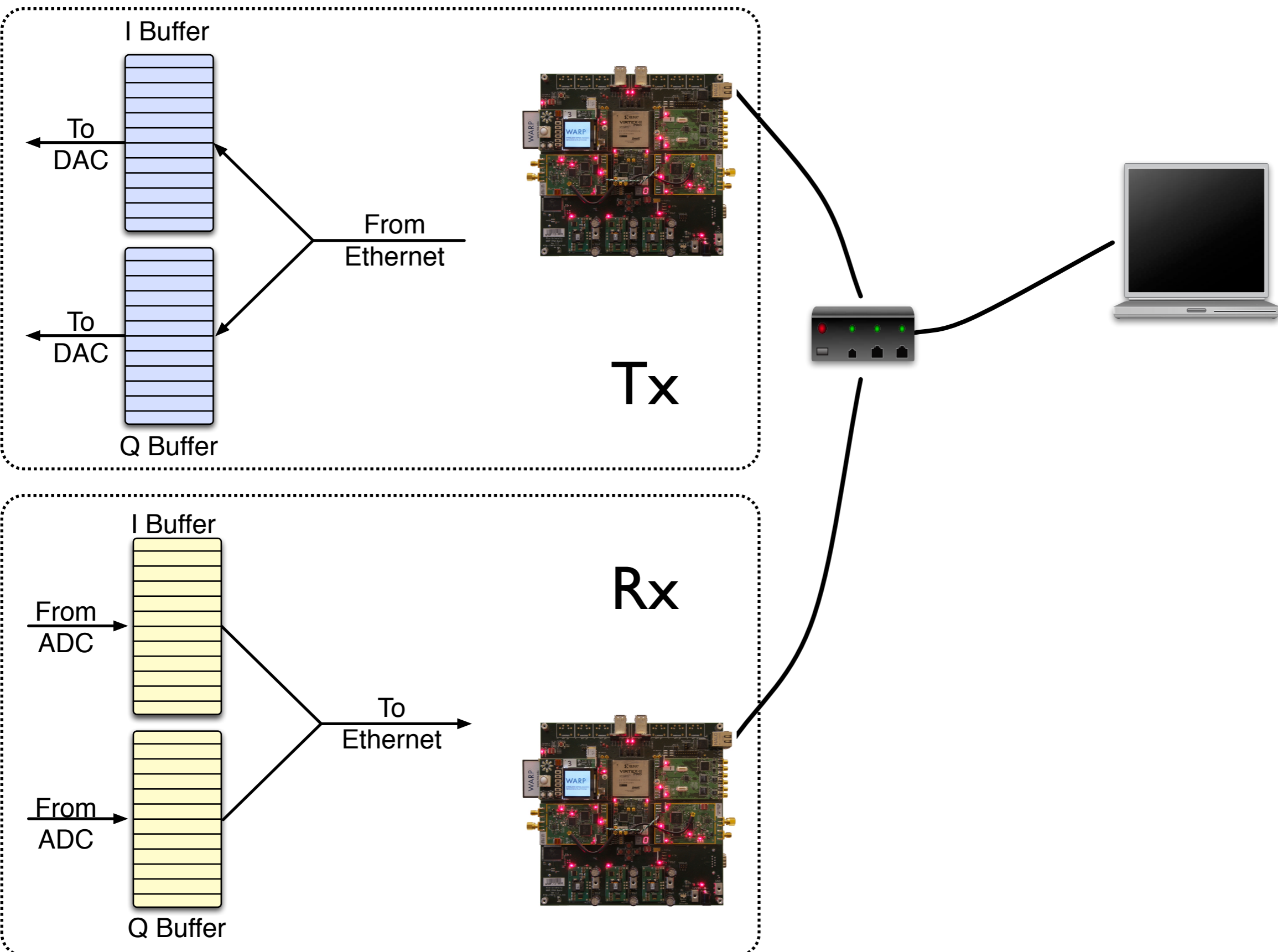
*Transmit Path*



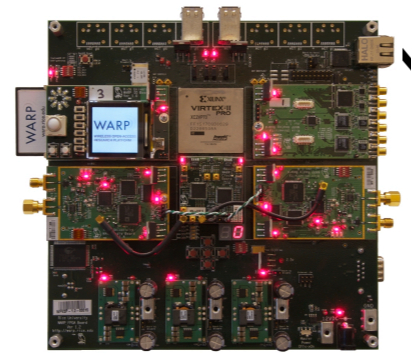
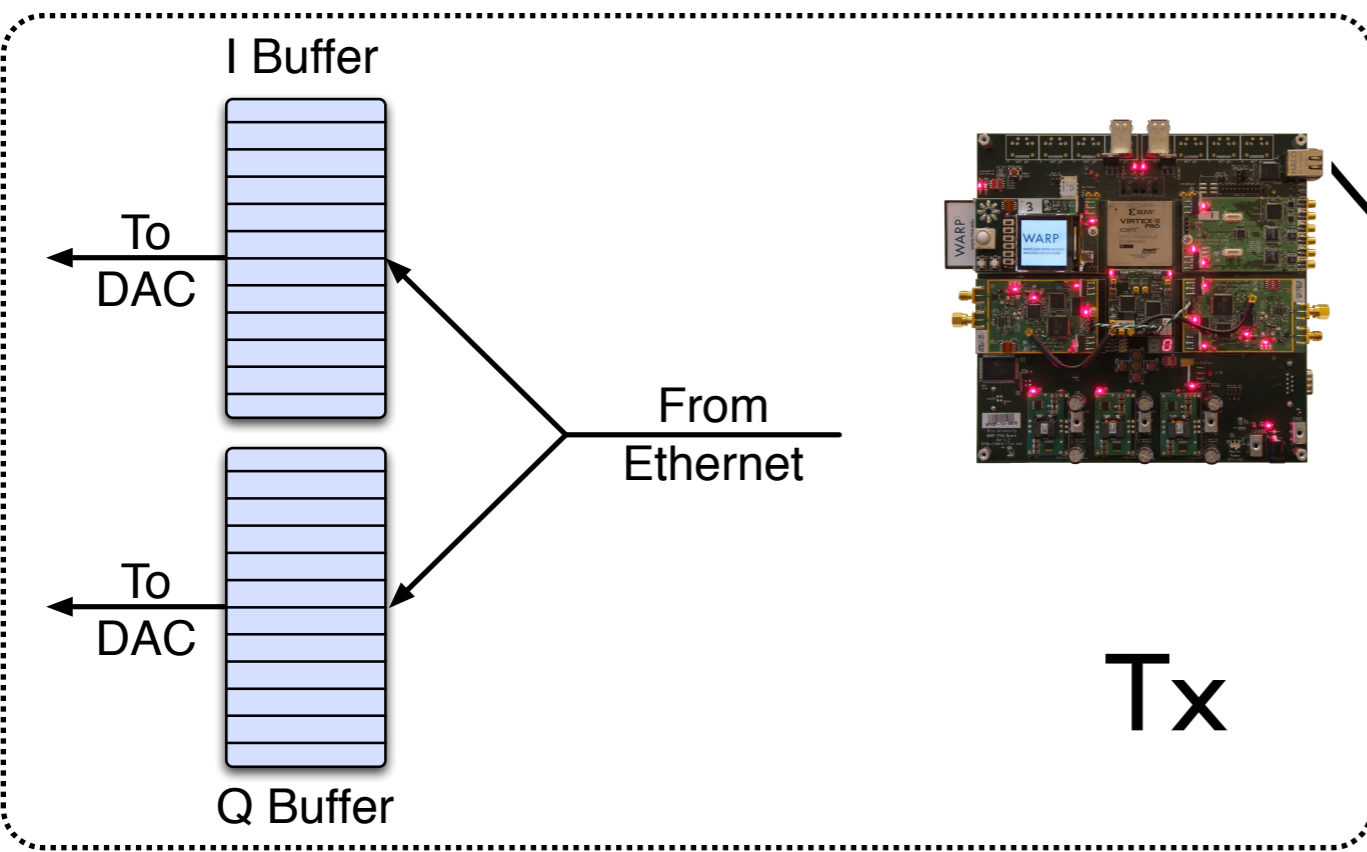
# WARPLab Architecture



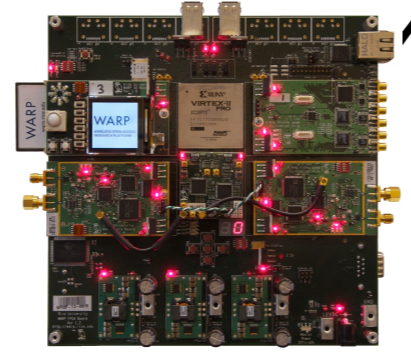
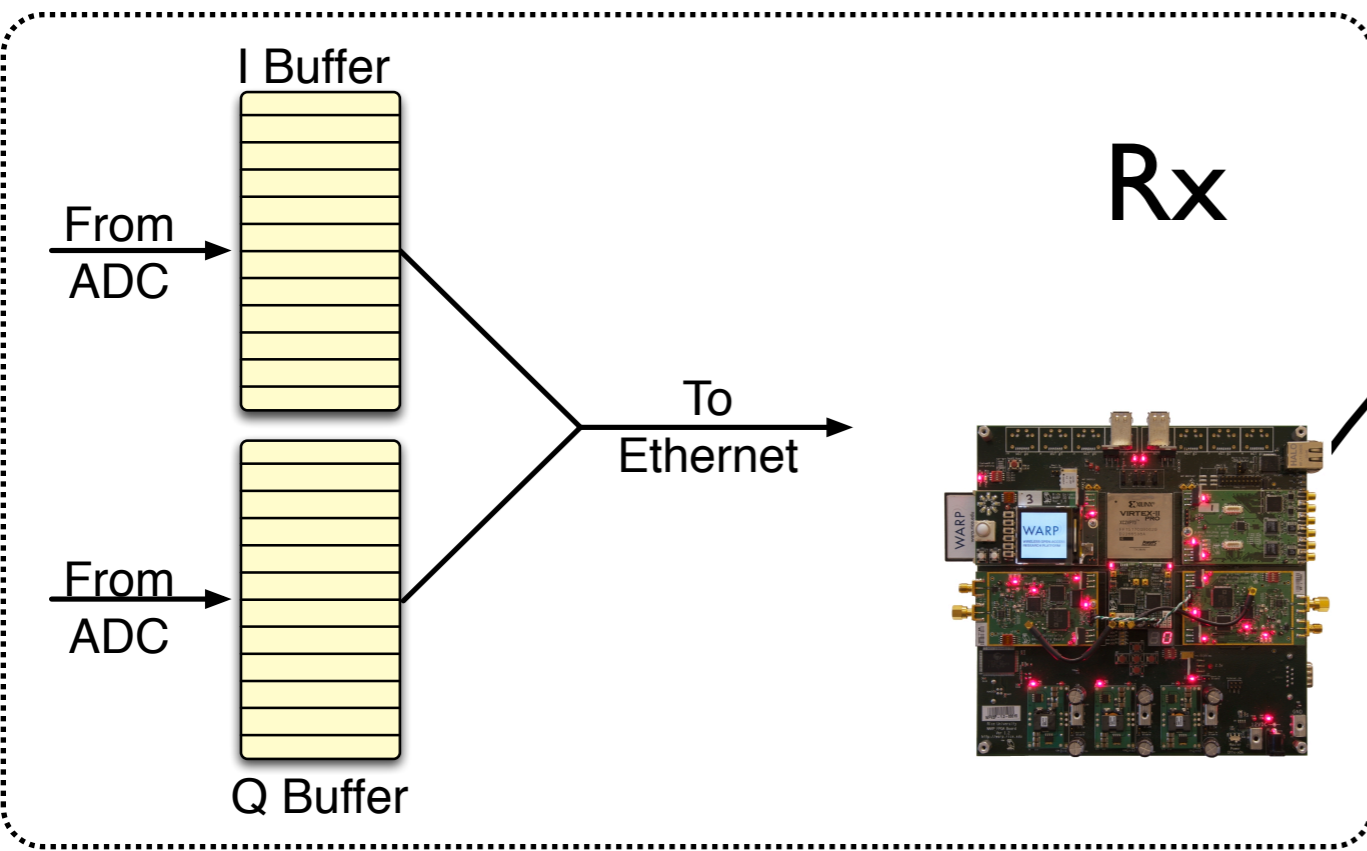
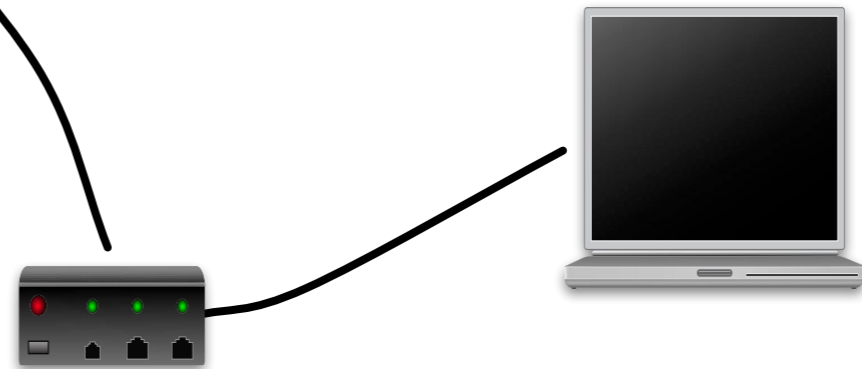
# WARPLab Flow



# WARPLab Flow



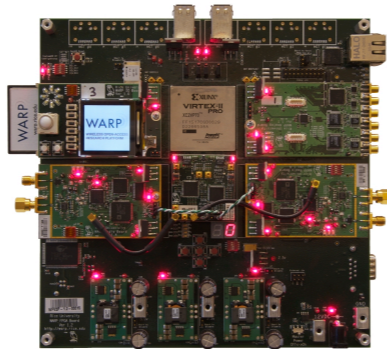
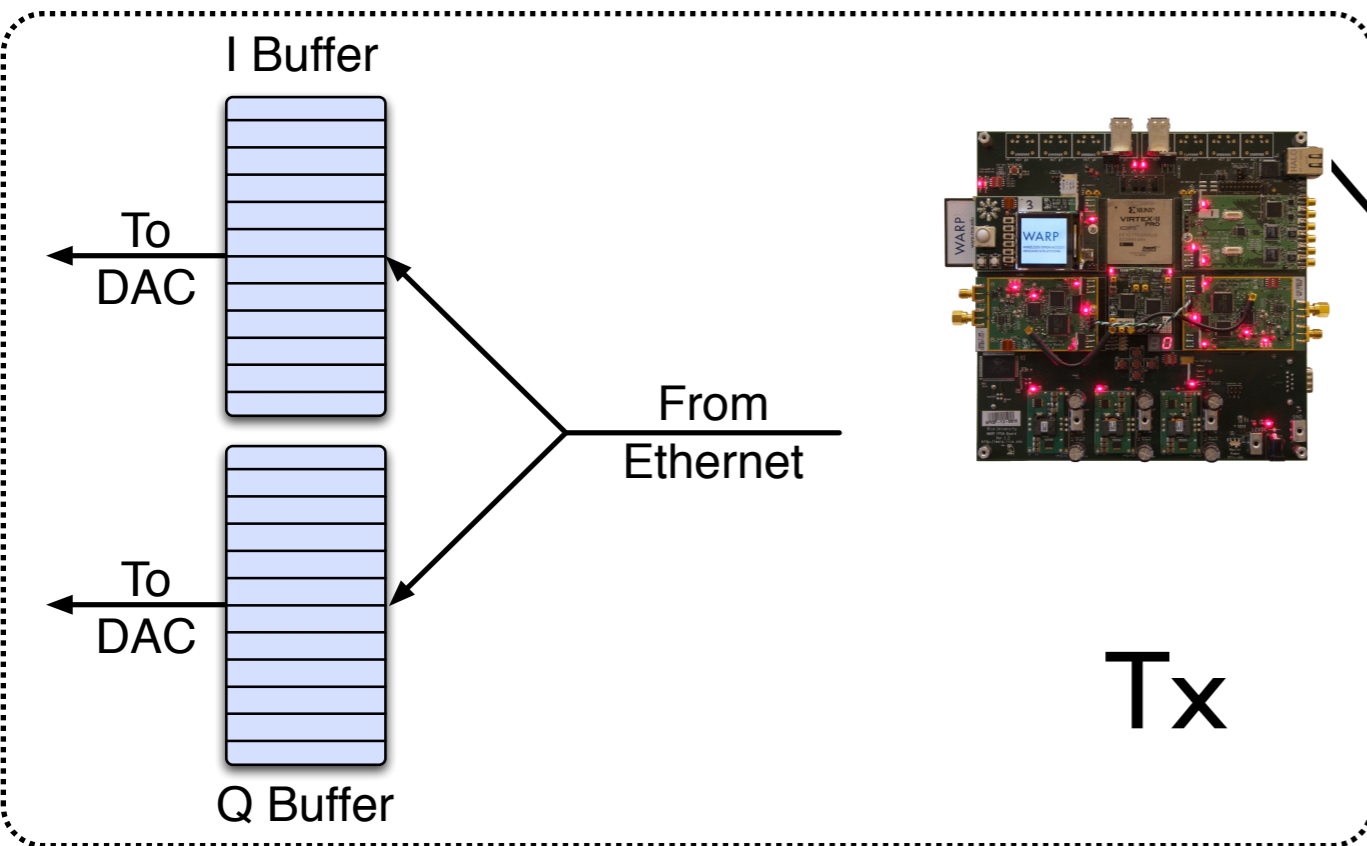
**Tx**



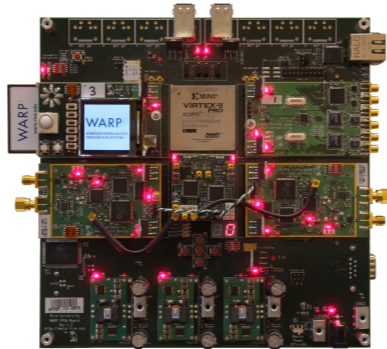
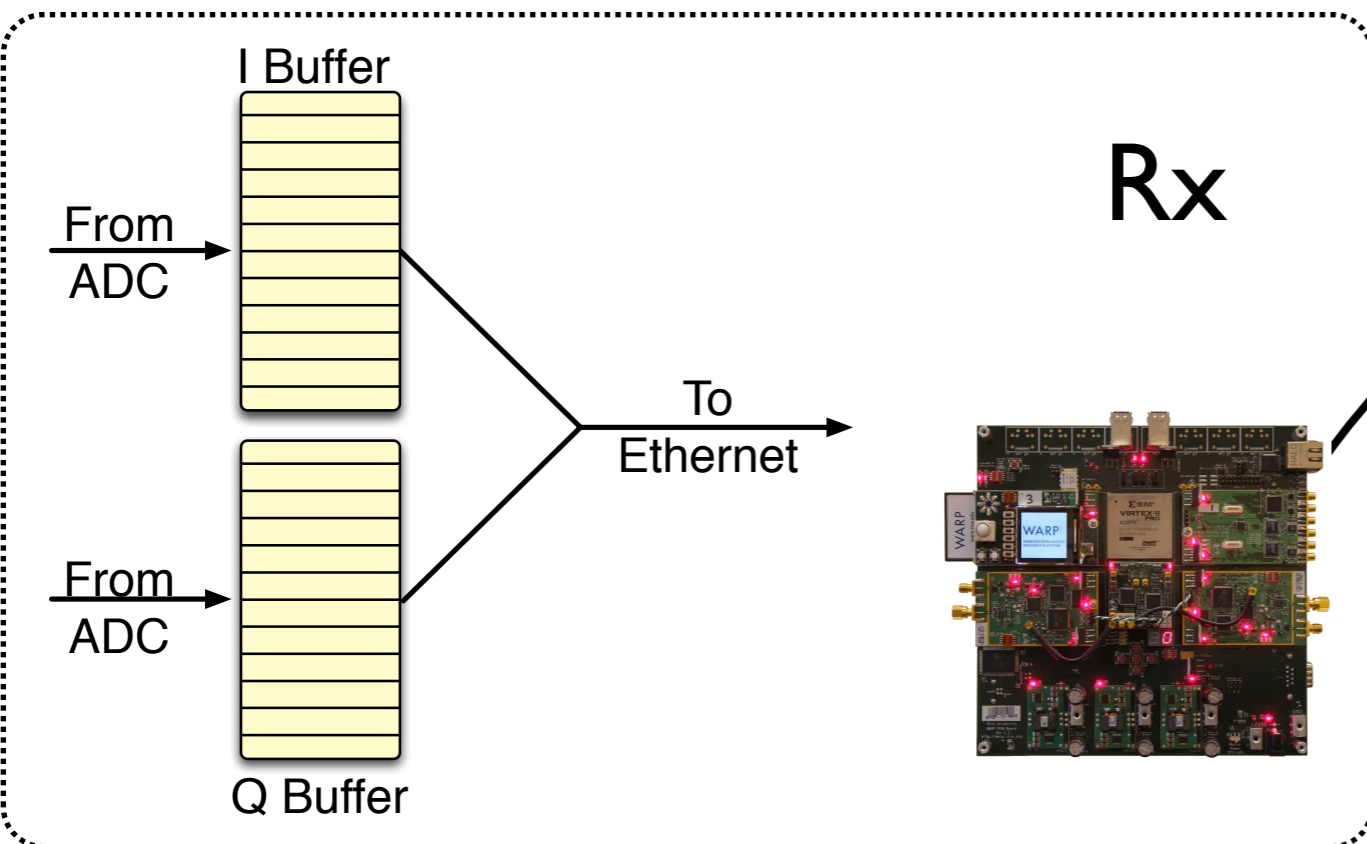
**Rx**

1. Initialize nodes & radio settings
2. Download Tx vectors

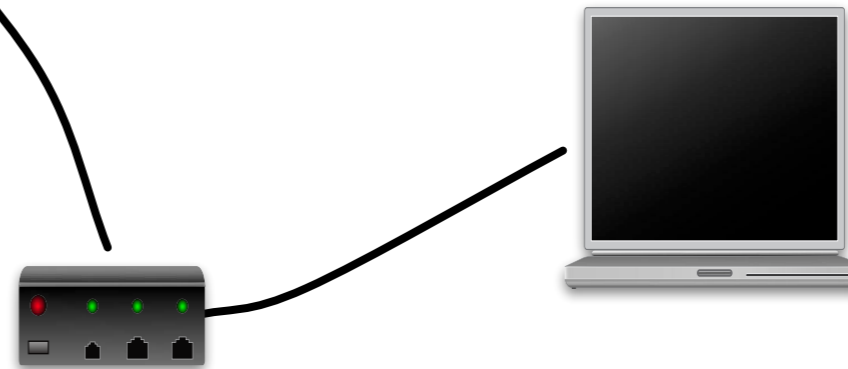
# WARPLab Flow



**Tx**



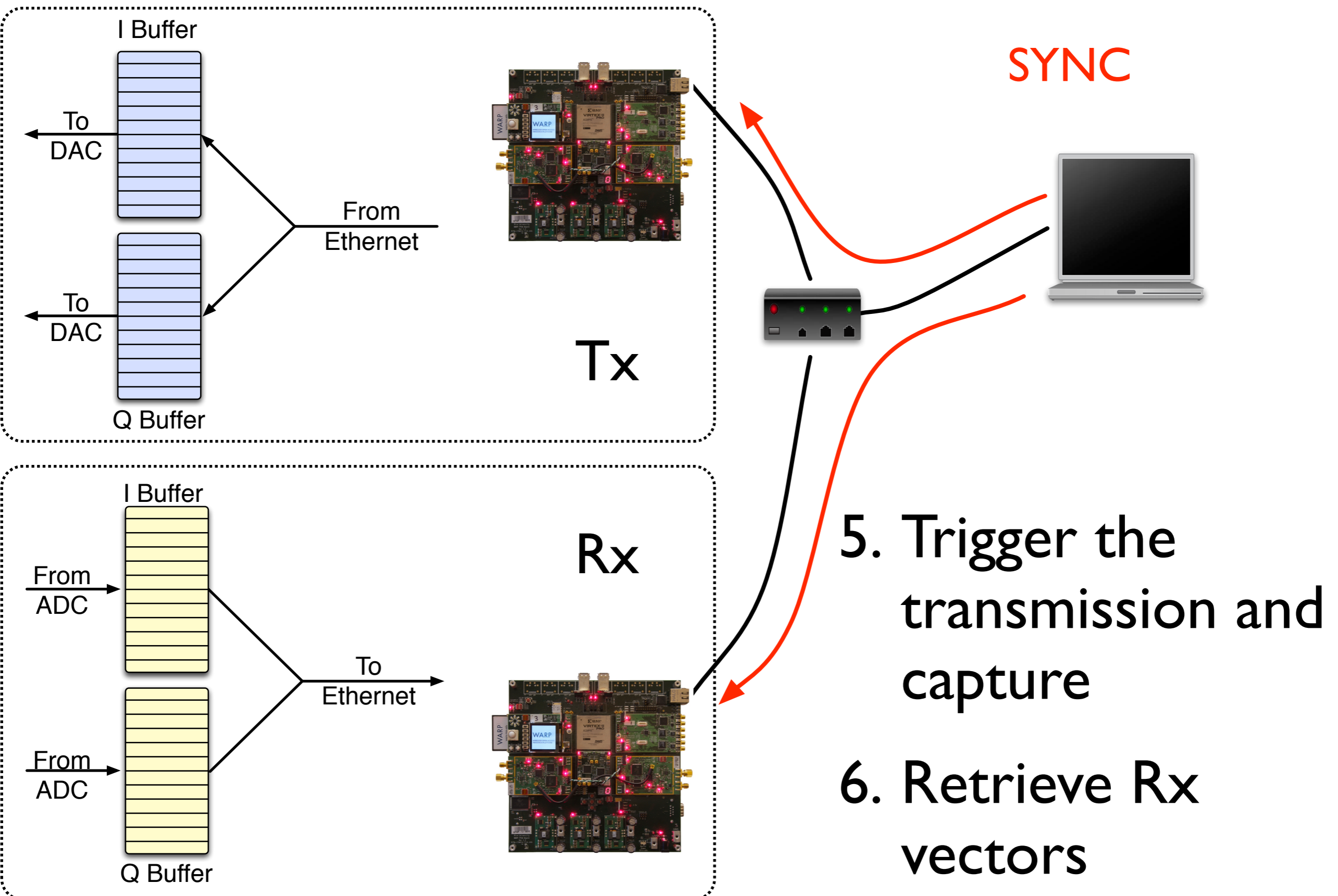
**Rx**



**3. Enable Tx/Rx radio paths**

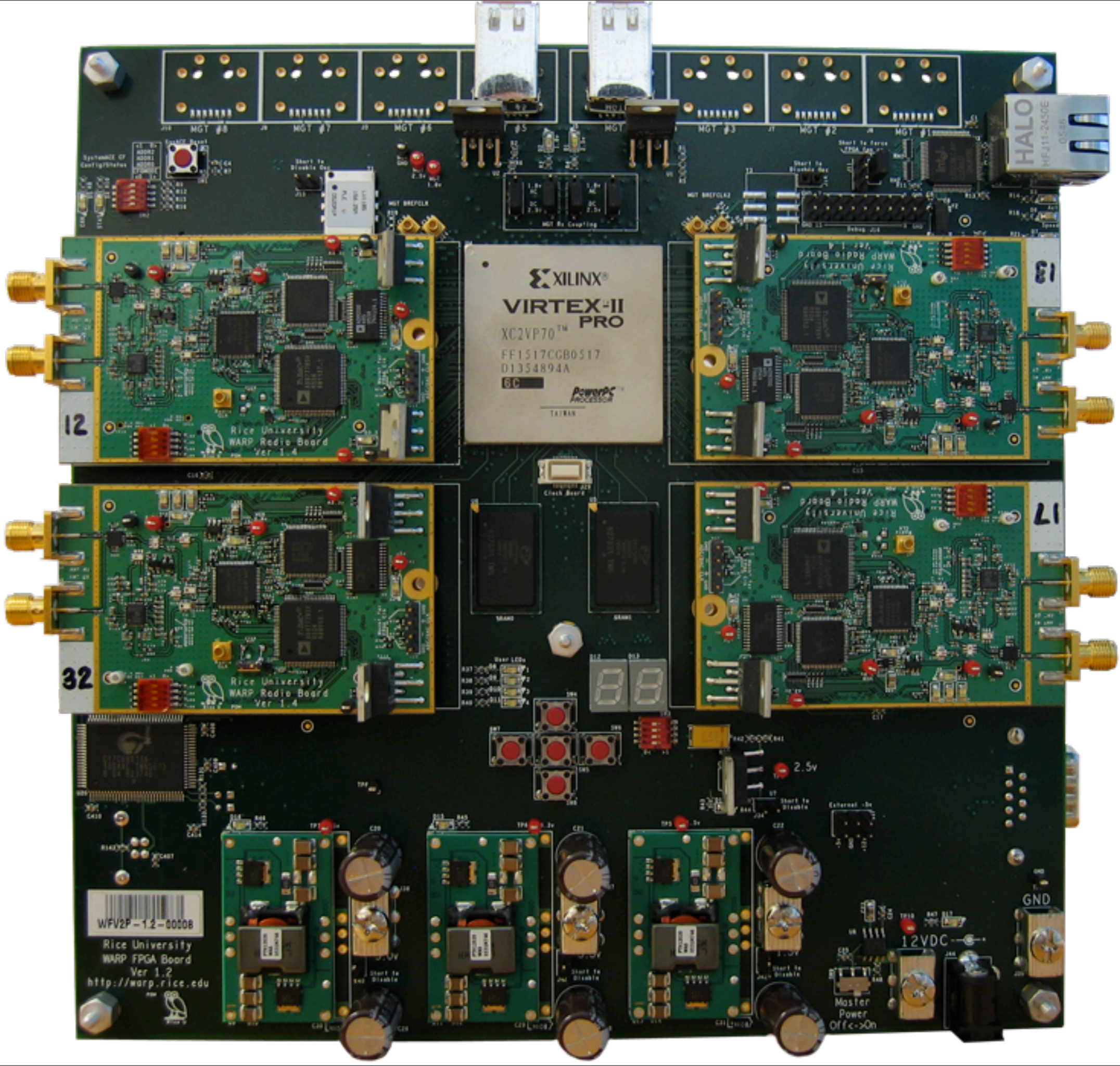
**4. Prime Tx/Rx state machines**

# WARPLab Flow



# WARPLab Architecture

- Independent Tx/Rx buffers
  - Buffers persist between triggers
  - Rx path captures I/Q and RSSI
- Control and synchronization by Ethernet
- Low-level radio control
  - Tx/Rx gains
  - Center frequency



Systemwide IP Config/Status

12

Rice University  
WARP Radio Board  
Ver 1.4

XILINX  
VIRTEX-II  
PRO  
XC2VP70™  
FF1517CGB0517  
D1354894A  
6C  
PowerPC  
Processor  
TA84A

HALO  
HF-111-2450E  
01-046

32

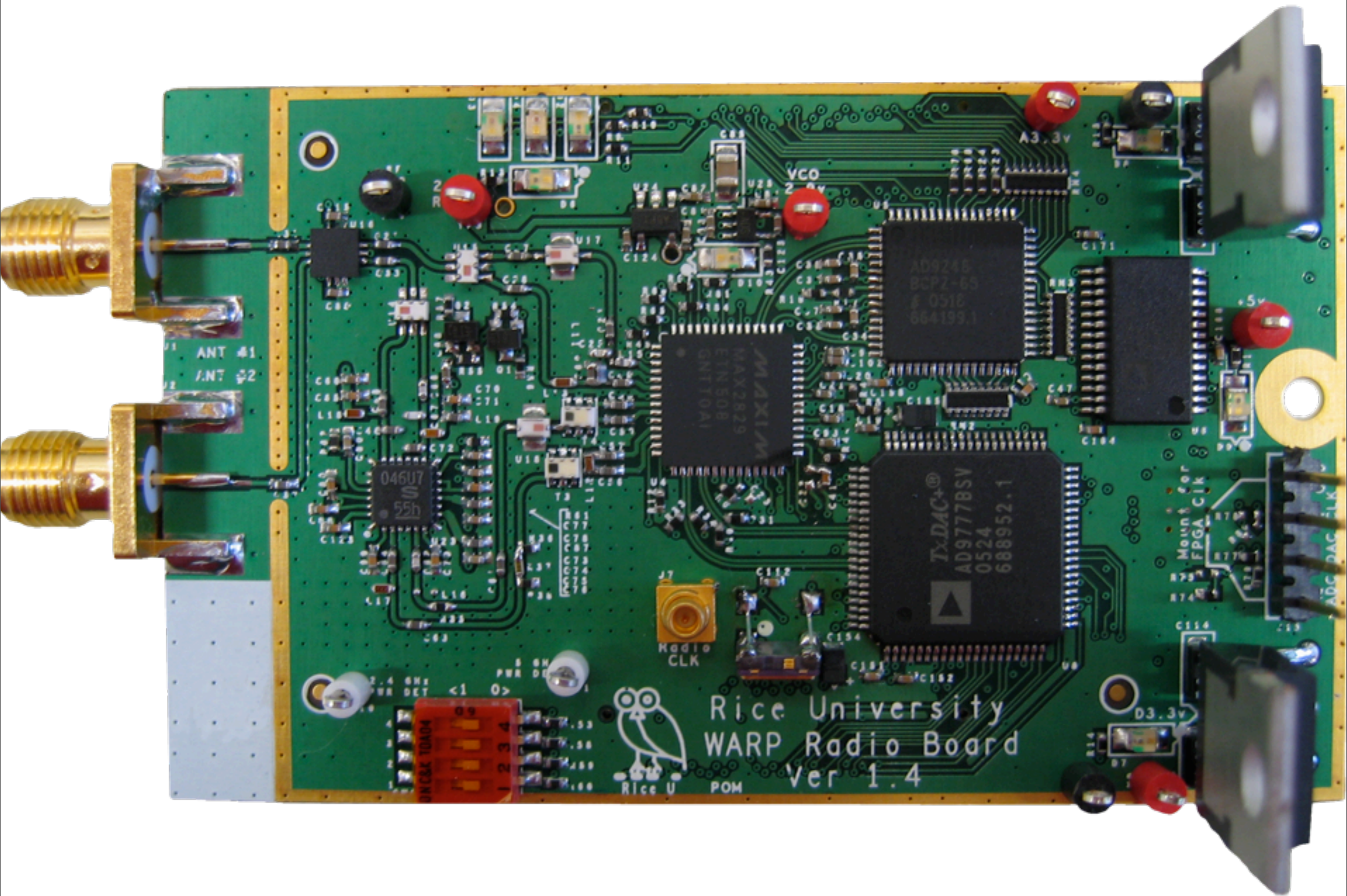
Rice University  
WARP Radio Board  
Ver 1.4

17

Rice University  
WARP Radio Board  
Ver 1.4

WFV2P-1.2-00008  
Rice University  
WARP FPGA Board  
Ver 1.2  
<http://warp.rice.edu>

Master  
Power  
Off->On



ANT #1  
ANT #2

046U7  
55h

J7  
Radio  
CLK



Rice University  
WARP Radio Board  
Ver 1.4

TxDAC+  
AD9778SV  
0524  
688952.1

AD9245  
BCP2-65  
F 0516  
664199.1

VCO  
2.0V

A3.3V

+5V

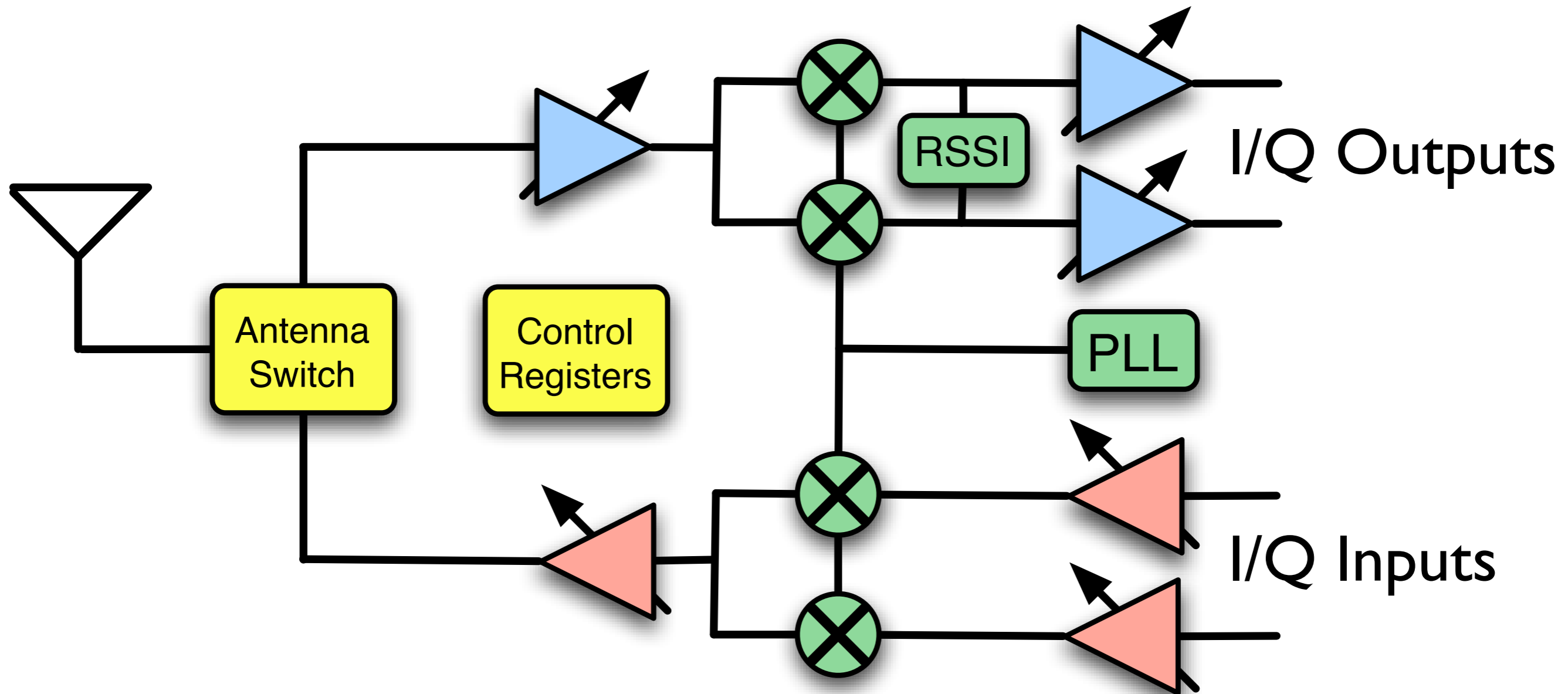
0.3.3V

BREAK TOAD04  
1 2 3 4

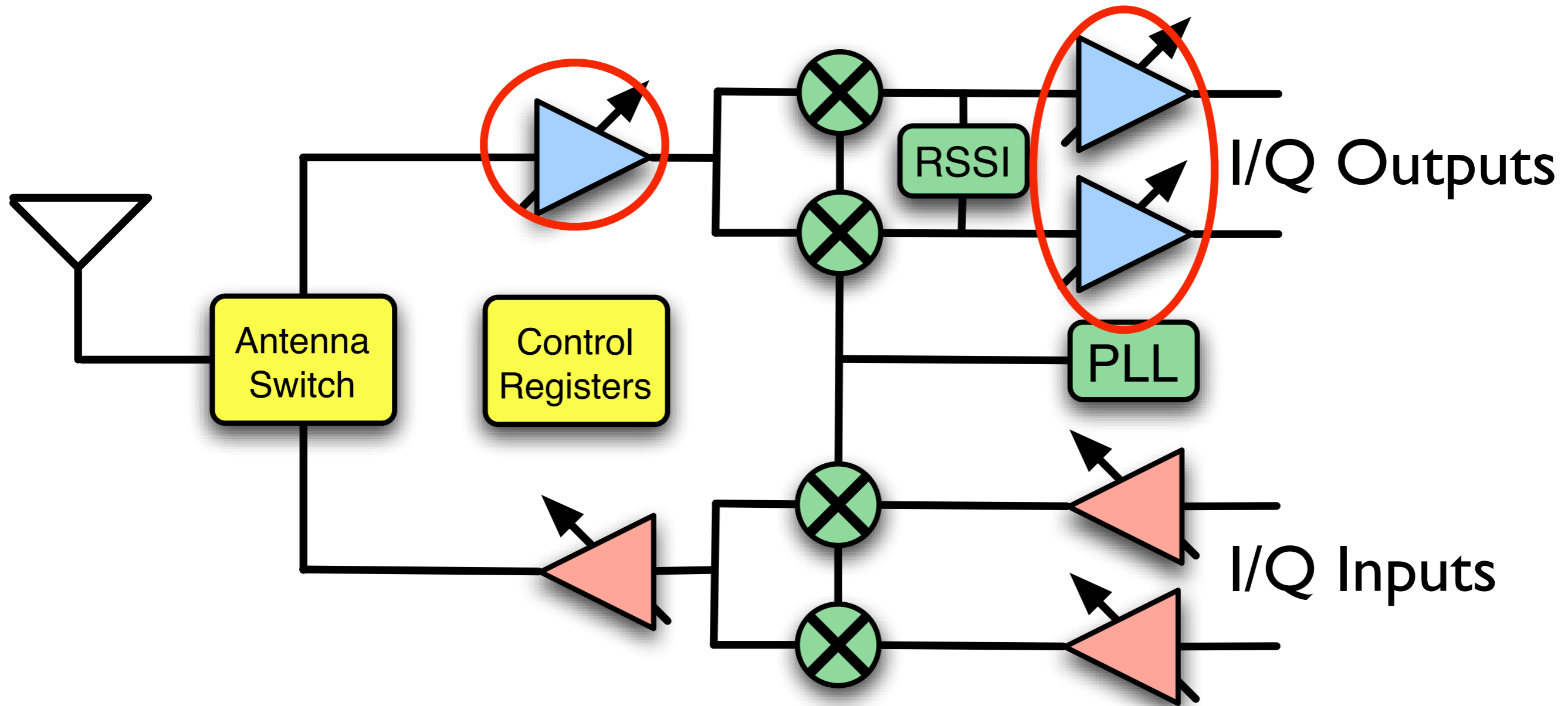
Mount for  
FPGA CLK  
ADG DAC CLK



# Radio Transceiver

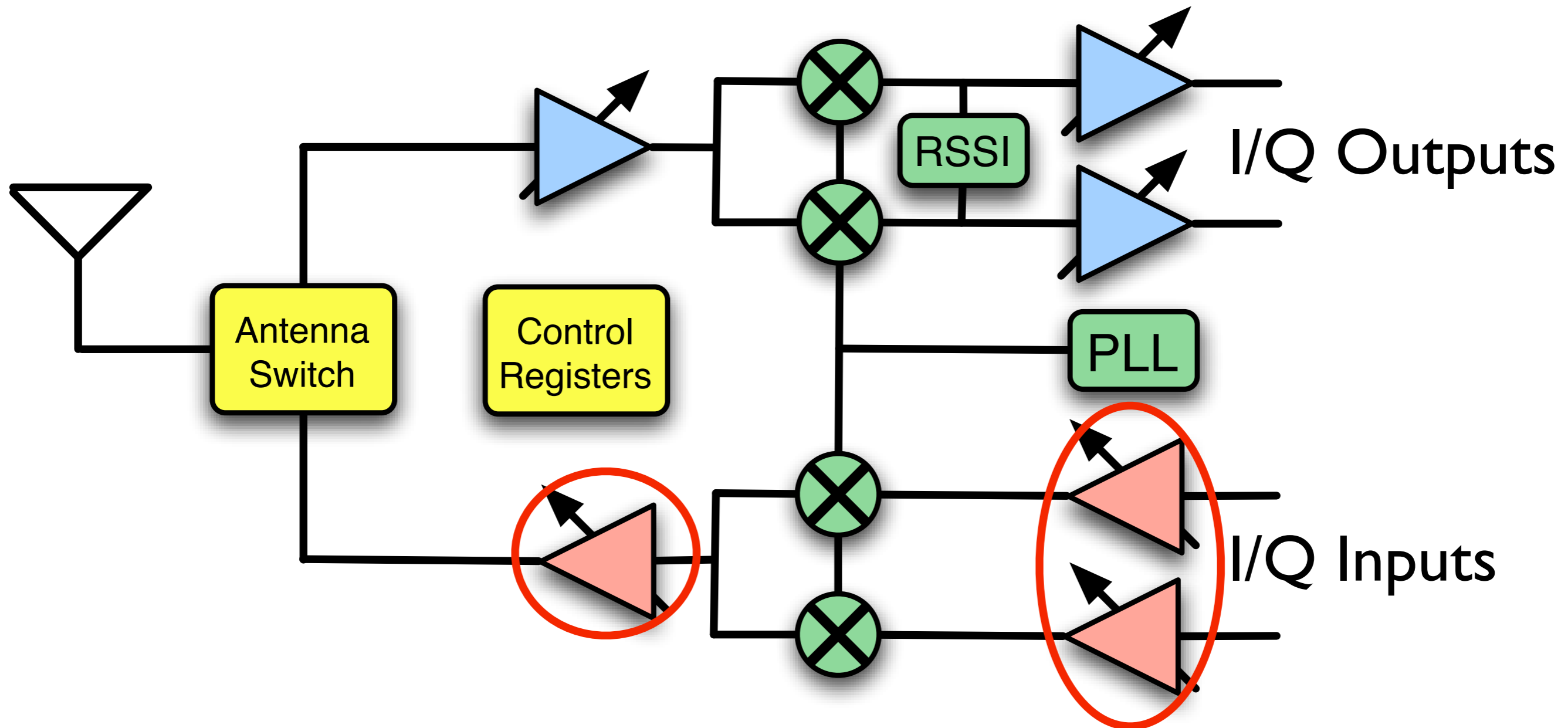


# Radio Transceiver



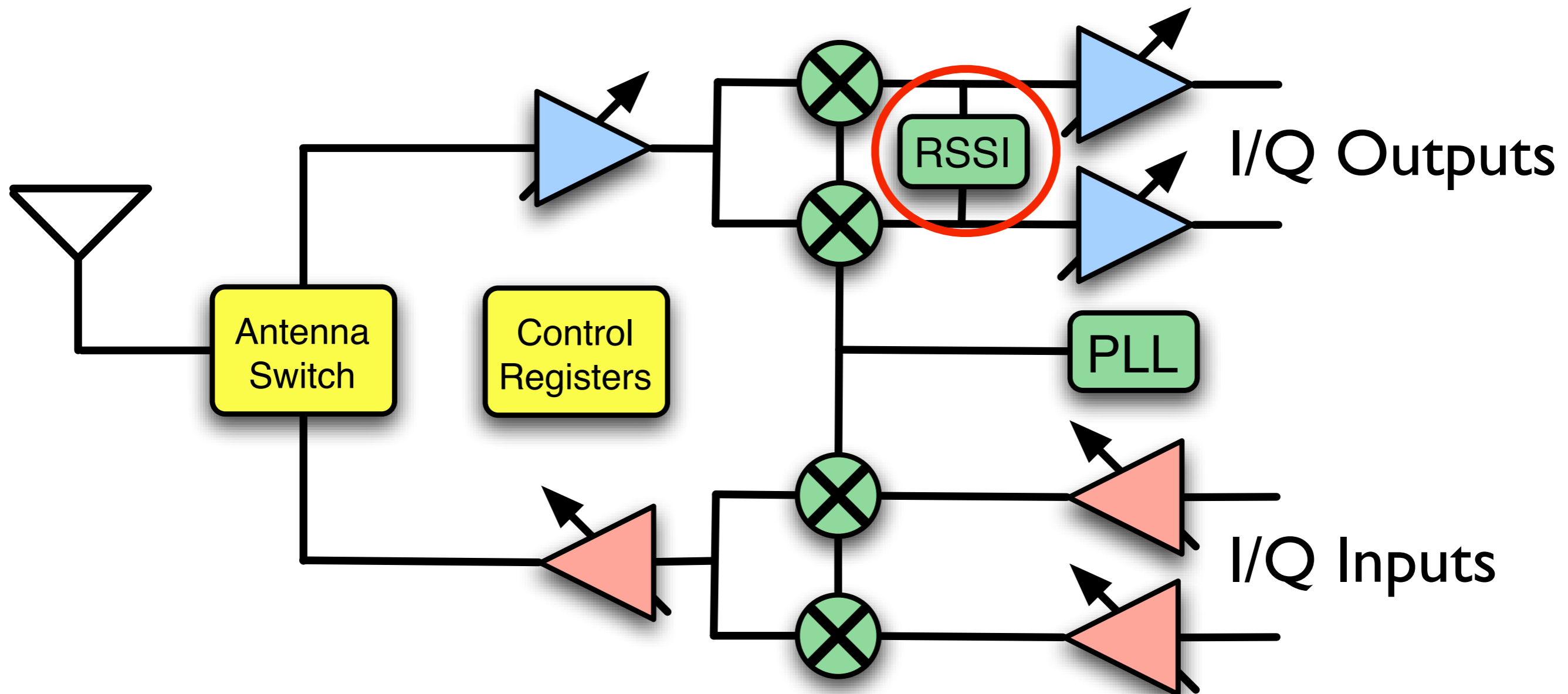
Variable Gain Rx Amplifiers  
Gain value input from MATLAB

# Radio Transceiver



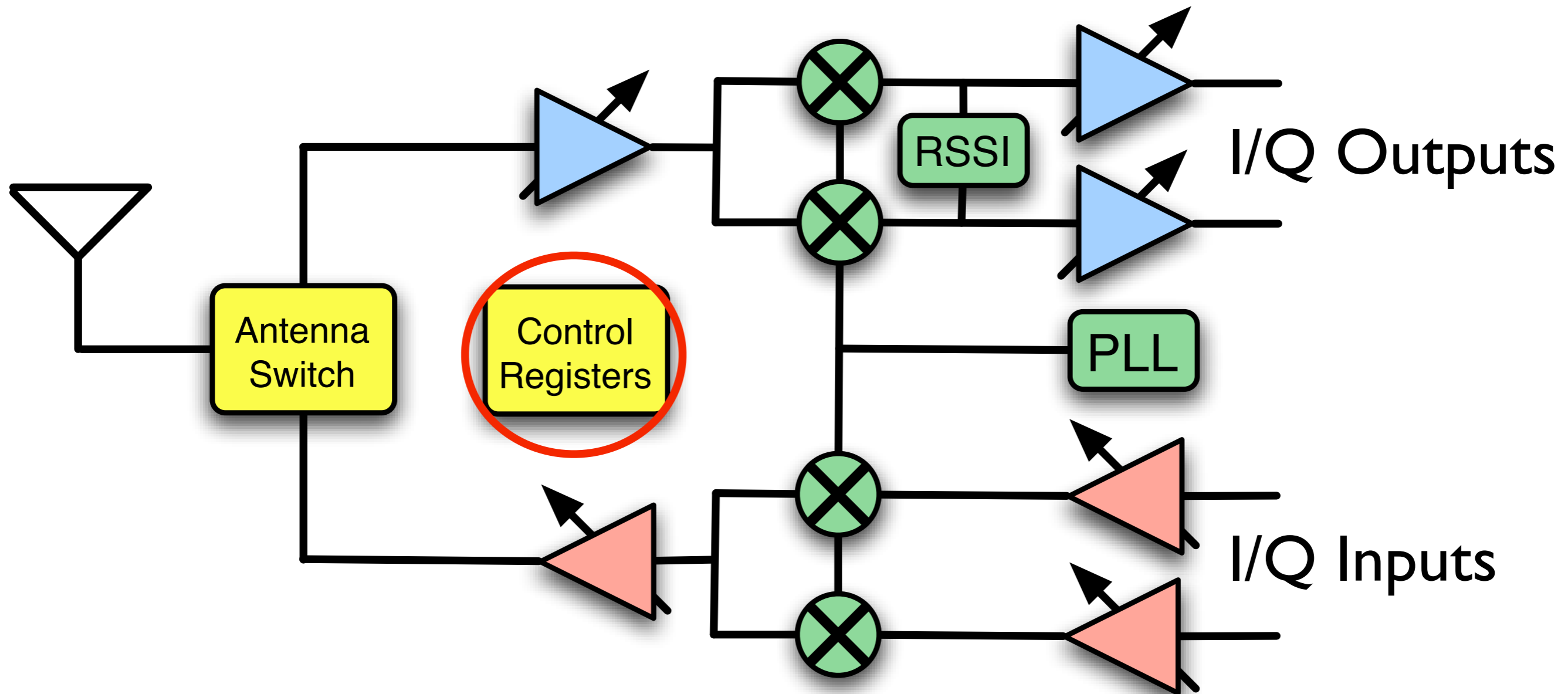
Variable Gain Tx Amplifiers  
Gain value input from MATLAB

# Radio Transceiver



Received Signal Strength Indicator After RF Gain  
Written in a buffer in the FPGA  
Can be read from MATLAB

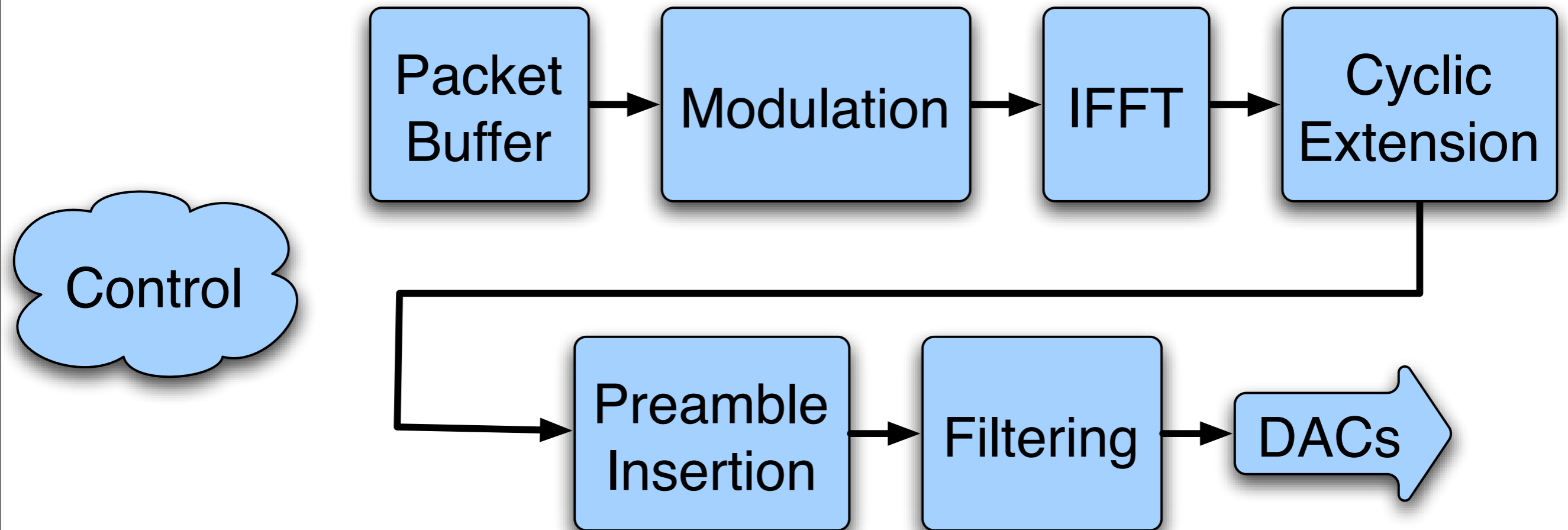
# Radio Transceiver



**Register Bank**  
(controlled by SPI interface)

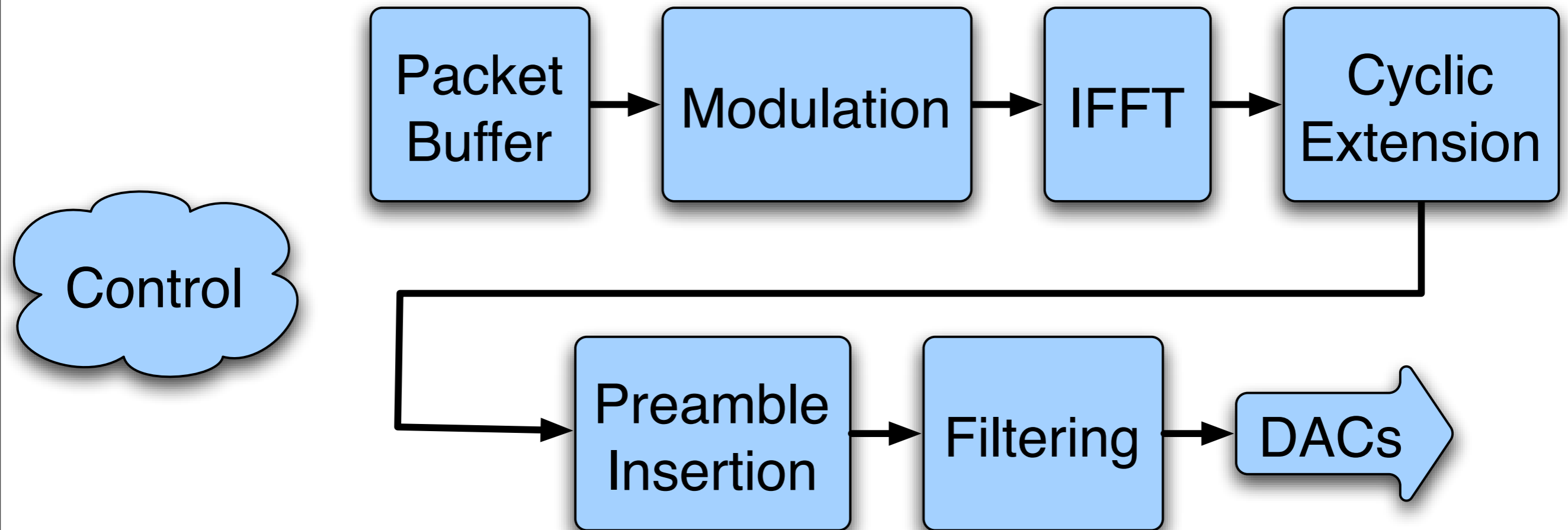
# PHY Example: OFDM Tx

WARPLab offline vs. Sysgen real-time



# PHY Example: OFDM Tx

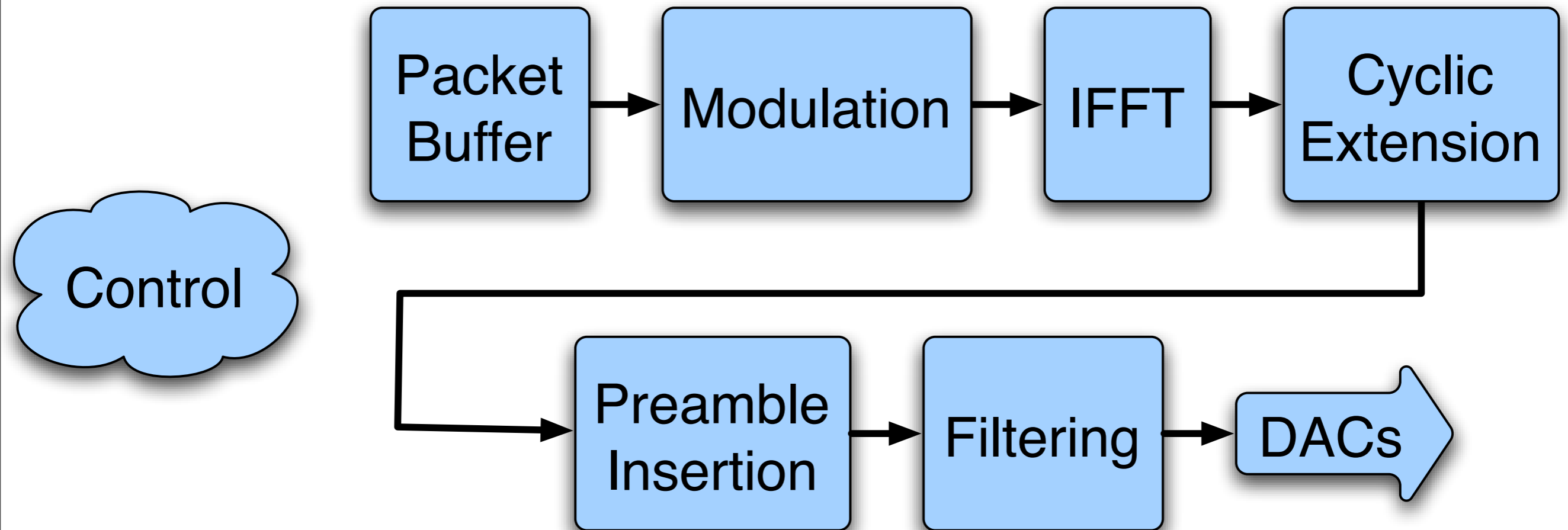
WARPLab offline vs. Sysgen real-time



- Offline Matlab processing
- Download samples to board
- Real-time Tx/Rx

# PHY Example: OFDM Tx

WARPLab offline vs. Sysgen real-time



- Each sample to DACs is generated in real-time
- Real-time Tx/Rx

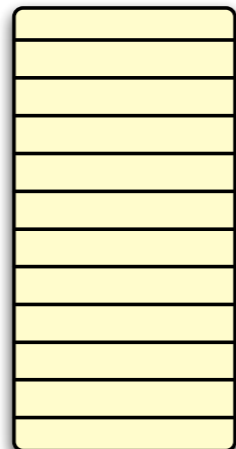


# PHY Example: OFDM Tx

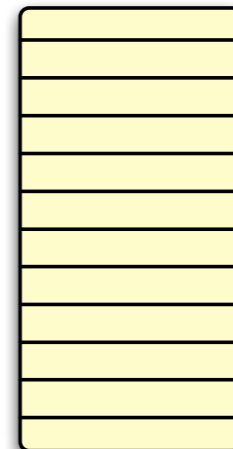
## WARPLab offline vs. Sysgen real-time

```
trainingSym_freq = [0 -1 1 -1 1 -1 1 -1 1 -1 -1 -1 1 1 -1 1 1 1 1 1 -1 -1 1 1 -1 -1 0 0 0...  
 0 0 0 0 0 0 0 0 1 -1 1 1 1 -1 -1 -1 -1 1 1 -1 1 -1 1 1 -1 1 1 1 -1 -1 -1 -1 -1 -1];  
trainingSyms_time = ifft(trainingSym_freq, 64);  
numBytes = 240;  
numOFDMSyms = 20;  
fftWindowOffset = 6;  
numTrainingSyms = 4;  
pilotTonesTx = (randint(numOFDMSyms, 4, 2) .* 2) - 1;  
  
dataTx_qpsk = randint(1, numBytes*4, 4);  
mod_qpsk = qammod([0:3], 4, 0, 'gray');  
modnorm_qpsk = modnorm(mod_qpsk, 'avpow', 1);  
symsTx_qpsk = repmat([zeros(1,47) 1], 1, 20);%qammod(dataTx_qpsk, 4, 0, 'gray') .* modnorm_qpsk;  
symsTx_qpsk = qammod(dataTx_qpsk, 4, 0, 'gray') .* modnorm_qpsk;  
symsTx_mat = reshape(symsTx_qpsk, 48, numOFDMSyms).'; %20x48  
ifftInTx = zeros(20, 64);  
  
%Start filling in the FFT input matrix, leaving zeros where needed  
% Columns: 1->DC, 32->max +freq, 33->max -freq, 64->min -freq  
% Leave zeros in columns([1 8 22 28:32 33:38 44 58])  
ifftInTx(:, [2:7 9:21 23:27 39:43 45:57 59:64]) = symsTx_mat; %20x64  
ifftInTx(:, [8 22 44 58]) = pilotTonesTx;  
ifftInTx = [repmat(trainingSym_freq, numTrainingSyms, 1); ifftInTx];  
ifftOutTx = ifft(ifftInTx.', 64).';  
  
cycExtTx = [ifftOutTx(:,49:64) ifftOutTx];  
TxVec = reshape(cycExtTx.', 1, prod(size(cycExtTx)));  
  
TxVec_air = [zeros(1,250) interp(TxVec, 4) zeros(1,2^14 - length(TxVec)*4 - 250)];
```

Final Output  
to DACs



I Buffer



Q Buffer

# PHY Example: OFDM Tx

## WARPLab offline vs. Sysgen real-time

```
trainingSym_freq = [0 -1 1 -1 1 -1 1 -1 1 -1 -1 -1 1 1 -1 1 1 1 1 1 -1 -1 1 1 -1 -1 0 0 0...  
 0 0 0 0 0 0 0 0 1 -1 1 1 1 -1 -1 -1 -1 1 1 -1 1 -1 1 1 -1 1 1 1 -1 -1 -1 -1 -1 -1];  
trainingSyms_time = ifft(trainingSym_freq, 64);  
numBytes = 240;  
numOFDMSyms = 20;  
fftWindowOffset = 6;  
numTrainingSyms = 4;  
pilotTonesTx = (randint(numOFDMSyms, 4, 2) .* 2) - 1;
```

```
dataTx_qpsk = randint(1, numBytes*4, 4);  
mod_qpsk = qammod([0:3], 4, 0, 'gray');  
modnorm_qpsk = modnorm(mod_qpsk, 'avpow', 1);  
symsTx_qpsk = repmat([zeros(1,47) 1], 1, 20);%qammod(dataTx_qpsk, 4, 0, 'gray') .* modnorm_qpsk;  
symsTx_qpsk = qammod(dataTx_qpsk, 4, 0, 'gray') .* modnorm_qpsk;  
symsTx_mat = reshape(symsTx_qpsk, 48, numOFDMSyms).'; %20x48  
ifftInTx = zeros(20, 64);
```

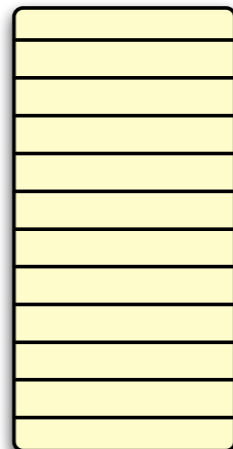
```
%Start filling in the FFT input matrix, leaving zeros where needed  
% Columns: 1->DC, 32->max +freq, 33->max -freq, 64->min -freq  
% Leave zeros in columns([1 8 22 28:32 33:38 44 58])  
ifftInTx(:, [2:7 9:21 23:27 39:43 45:57 59:64]) = symsTx_mat; %20x64  
ifftInTx(:, [8 22 44 58]) = pilotTonesTx;  
ifftInTx = [repmat(trainingSym_freq, numTrainingSyms, 1); ifftInTx];  
ifftOutTx = ifft(ifftInTx.', 64).';
```

```
cycExtTx = [ifftOutTx(:,49:64) ifftOutTx];  
TxVec = reshape(cycExtTx.', 1, prod(size(cycExtTx)));
```

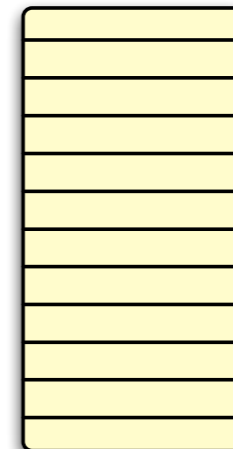
```
TxVec_air = [zeros(1,250) interp(TxVec, 4) zeros(1,2^14 - length(TxVec)*4 - 250)];
```

## Packet generation and modulation

Final Output  
to DACs



I Buffer



Q Buffer

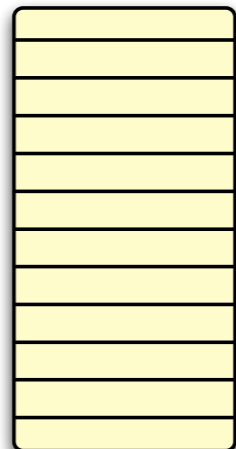
# PHY Example: OFDM Tx

## WARPLab offline vs. Sysgen real-time

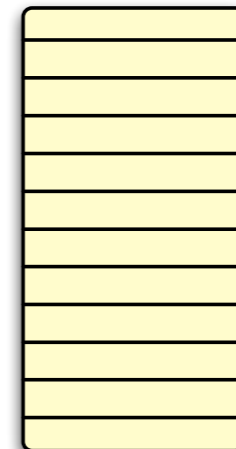
```
trainingSym_freq = [0 -1 1 -1 1 -1 1 -1 1 -1 -1 -1 1 1 -1 1 1 1 1 1 -1 -1 1 1 -1 -1 0 0 0...  
 0 0 0 0 0 0 0 0 1 -1 1 1 1 -1 -1 -1 -1 1 1 -1 1 -1 1 1 -1 1 1 1 -1 -1 -1 -1 -1 -1];  
trainingSyms_time = ifft(trainingSym_freq, 64);  
numBytes = 240;  
numOFDMSyms = 20;  
fftWindowOffset = 6;  
numTrainingSyms = 4;  
pilotTonesTx = (randint(numOFDMSyms, 4, 2) .* 2) - 1;  
  
dataTx_qpsk = randint(1, numBytes*4, 4);  
mod_qpsk = qammod([0:3], 4, 0, 'gray');  
modnorm_qpsk = modnorm(mod_qpsk, 'avpow', 1);  
symsTx_qpsk = repmat([zeros(1,47) 1], 1, 20);%qammod(dataTx_qpsk, 4, 0, 'gray') .* modnorm_qpsk;  
symsTx_qpsk = qammod(dataTx_qpsk, 4, 0, 'gray') .* modnorm_qpsk;  
symsTx_mat = reshape(symsTx_qpsk, 48, numOFDMSyms).'; %20x48  
ifftInTx = zeros(20, 64);  
  
%Start filling in the FFT input matrix, leaving zeros where needed  
% Columns: 1->DC, 32->max +freq, 33->max -freq, 64->min -freq  
% Leave zeros in columns([1 8 22 28:32 33:38 44 58])  
ifftInTx(:, [2:7 9:21 23:27 39:43 45:57 59:64]) = symsTx_mat; %20x64  
ifftInTx(:, [8 22 44 58]) = pilotTonesTx;  
ifftInTx = [repmat(trainingSym_freq, numTrainingSyms, 1); ifftInTx];  
ifftOutTx = ifft(ifftInTx.', 64).';  
  
cycExtTx = [ifftOutTx(:,49:64) ifftOutTx];  
TxVec = reshape(cycExtTx.', 1, prod(size(cycExtTx)));  
  
TxVec_air = [zeros(1,250) interp(TxVec, 4) zeros(1,2^14 - length(TxVec)*4 - 250)];
```

FFT

Final Output  
to DACs



I Buffer



Q Buffer

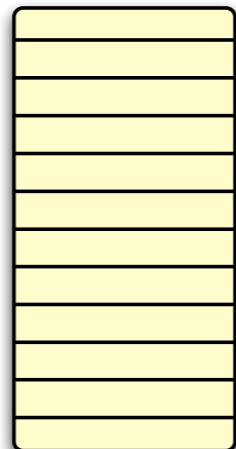
# PHY Example: OFDM Tx

## WARPLab offline vs. Sysgen real-time

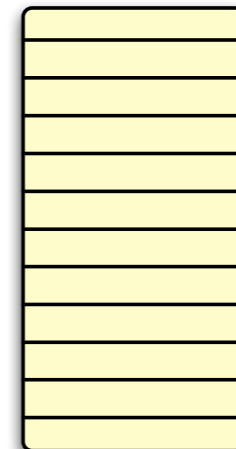
```
trainingSym_freq = [0 -1 1 -1 1 -1 1 -1 1 -1 -1 -1 1 1 -1 1 1 1 1 1 -1 -1 1 1 -1 -1 0 0 0...  
 0 0 0 0 0 0 0 0 1 -1 1 1 1 -1 -1 -1 -1 1 1 -1 1 -1 1 1 -1 1 1 1 -1 -1 -1 -1 -1 -1];  
trainingSyms_time = ifft(trainingSym_freq, 64);  
numBytes = 240;  
numOFDMSyms = 20;  
fftWindowOffset = 6;  
numTrainingSyms = 4;  
pilotTonesTx = (randint(numOFDMSyms, 4, 2) .* 2) - 1;  
  
dataTx_qpsk = randint(1, numBytes*4, 4);  
mod_qpsk = qammod([0:3], 4, 0, 'gray');  
modnorm_qpsk = modnorm(mod_qpsk, 'avpow', 1);  
symsTx_qpsk = repmat([zeros(1,47) 1], 1, 20);%qammod(dataTx_qpsk, 4, 0, 'gray') .* modnorm_qpsk;  
symsTx_qpsk = qammod(dataTx_qpsk, 4, 0, 'gray') .* modnorm_qpsk;  
symsTx_mat = reshape(symsTx_qpsk, 48, numOFDMSyms).'; %20x48  
ifftInTx = zeros(20, 64);  
  
%Start filling in the FFT input matrix, leaving zeros where needed  
% Columns: 1->DC, 32->max +freq, 33->max -freq, 64->min -freq  
% Leave zeros in columns([1 8 22 28:32 33:38 44 58])  
ifftInTx(:, [2:7 9:21 23:27 39:43 45:57 59:64]) = symsTx_mat; %20x64  
ifftInTx(:, [8 22 44 58]) = pilotTonesTx;  
ifftInTx = [repmat(trainingSym_freq, numTrainingSyms, 1); ifftInTx];  
ifftOutTx = ifft(ifftInTx.', 64).';  
  
cycExtTx = [ifftOutTx(:,49:64) ifftOutTx];  
TxVec = reshape(cycExtTx.', 1, prod(size(cycExtTx)));  
  
TxVec_air = [zeros(1,250) interp(TxVec, 4) zeros(1,2^14 - length(TxVec)*4 - 250)];
```

## Cyclic extension

Final Output  
to DACs



I Buffer



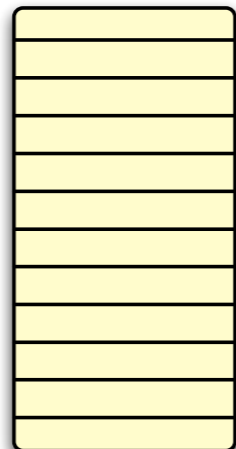
Q Buffer

# PHY Example: OFDM Tx

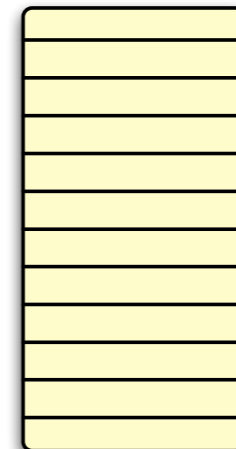
## WARPLab offline vs. Sysgen real-time

```
trainingSym_freq = [0 -1 1 -1 1 -1 1 -1 1 -1 -1 -1 1 1 -1 1 1 1 1 1 -1 -1 1 1 -1 -1 0 0 0...  
 0 0 0 0 0 0 0 0 1 -1 1 1 1 -1 -1 -1 -1 1 1 -1 1 -1 1 1 -1 1 1 1 -1 -1 -1 -1 -1 -1];  
trainingSyms_time = ifft(trainingSym_freq, 64);  
numBytes = 240;  
numOFDMSyms = 20;  
fftWindowOffset = 6;  
numTrainingSyms = 4;  
pilotTonesTx = (randint(numOFDMSyms, 4, 2) .* 2) - 1;  
  
dataTx_qpsk = randint(1, numBytes*4, 4);  
mod_qpsk = qammod([0:3], 4, 0, 'gray');  
modnorm_qpsk = modnorm(mod_qpsk, 'avpow', 1);  
symsTx_qpsk = repmat([zeros(1,47) 1], 1, 20);%qammod(dataTx_qpsk, 4, 0, 'gray') .* modnorm_qpsk;  
symsTx_qpsk = qammod(dataTx_qpsk, 4, 0, 'gray') .* modnorm_qpsk;  
symsTx_mat = reshape(symsTx_qpsk, 48, numOFDMSyms).'; %20x48  
ifftInTx = zeros(20, 64);  
  
%Start filling in the FFT input matrix, leaving zeros where needed  
% Columns: 1->DC, 32->max +freq, 33->max -freq, 64->min -freq  
% Leave zeros in columns([1 8 22 28:32 33:38 44 58])  
ifftInTx(:, [2:7 9:21 23:27 39:43 45:57 59:64]) = symsTx_mat; %20x64  
ifftInTx(:, [8 22 44 58]) = pilotTonesTx;  
ifftInTx = [repmat(trainingSym_freq, numTrainingSyms, 1); ifftInTx];  
ifftOutTx = ifft(ifftInTx.', 64).';  
  
cycExtTx = [ifftOutTx(:,49:64) ifftOutTx];  
TxVec = reshape(cycExtTx.', 1, prod(size(cycExtTx)));  
  
TxVec_air = [zeros(1,250) interp(TxVec, 4) zeros(1,2^14 - length(TxVec)*4 - 250)];
```

Final Output  
to DACs



I Buffer

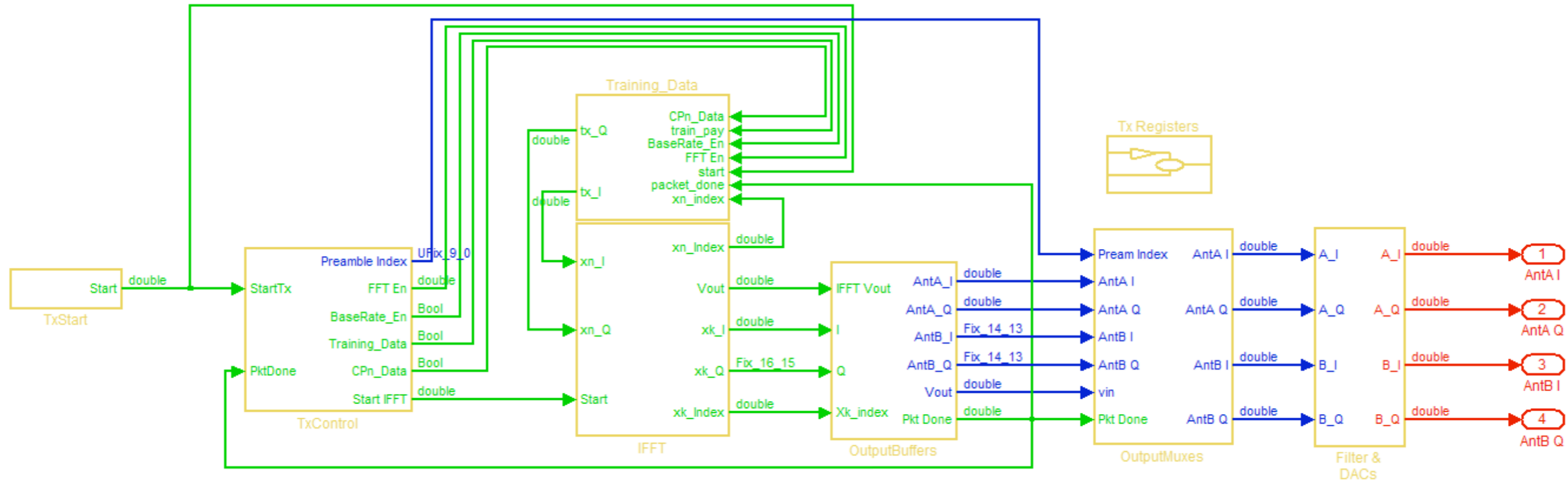


Q Buffer

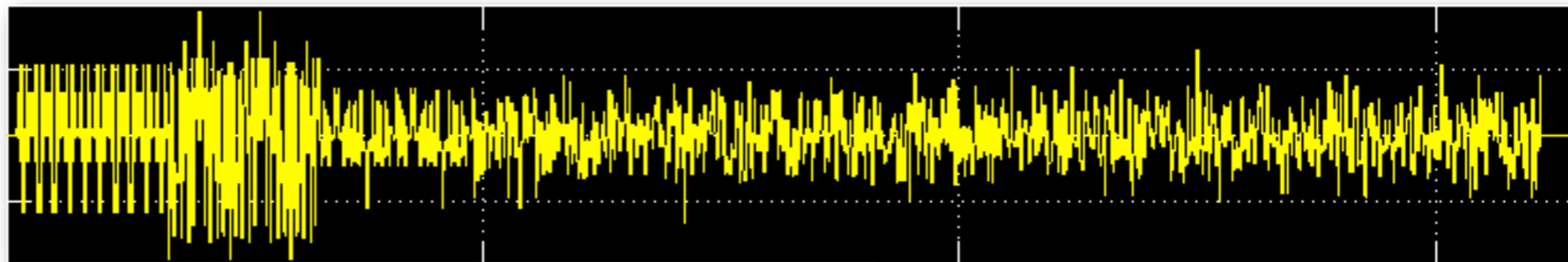
Filtering

# PHY Example: OFDM Tx

WARPLab offline vs. Sysgen real-time

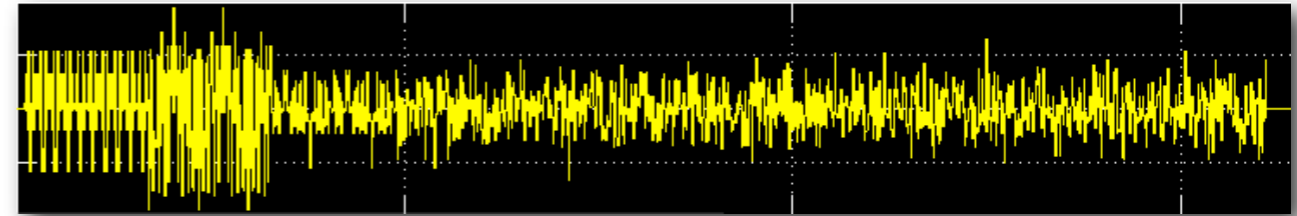
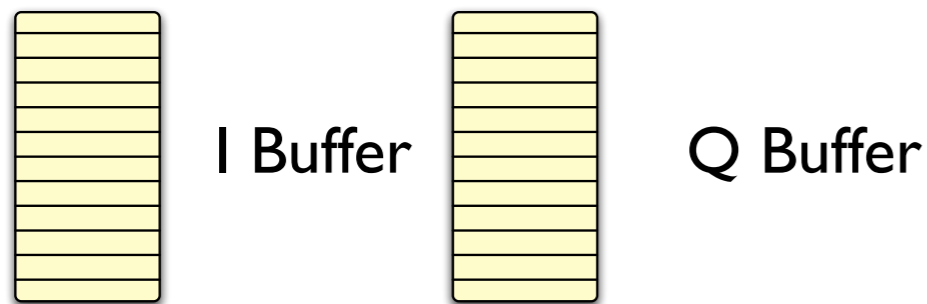


Final Output  
to DACs



# PHY Example: OFDM Tx

WARPLab offline vs. Sysgen real-time



Same final output to DACs

- Signal processing offline  
MATLAB
- SYNC signal
- Limited buffer length
- PHY algorithm test
- Cost of generating each sample in real time
- Control, Pkt Detection
- Allows a real time system
- Network test

# WARPLab Examples

- Hardware characterization
- Channel measurement
- Cooperative communications
- Beamforming
- Sphere detection



# Lab 3: WARPLab

- WARPLab graphical interface
- Measuring the wireless channel
- Building a real bits-to-RF transmitter
- Continuous transmitter mode
- Two-way communication

# WARPLab Overview

